

COMPACTION ROLLERS (TANDEM RIDE-ON)


TV800 **TV1000** **TV1300**
TV800H **TV1200** **TV1400**
TV900 **TV1200H**

Specification

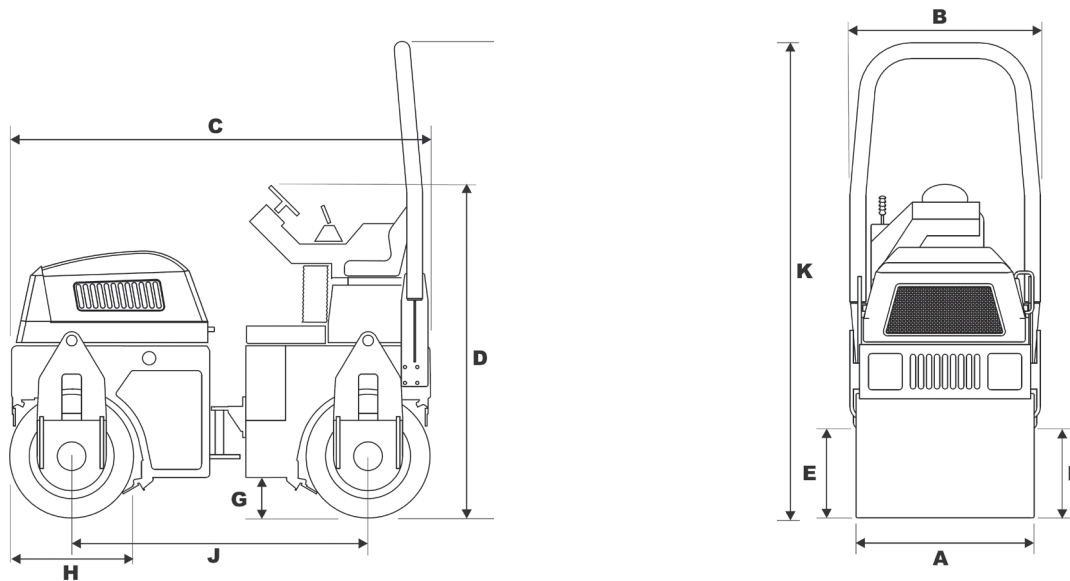
| | |
|--------------------|------------------------------------|
| Operating Weight | 1559 – 4390 kg |
| Gross Engine Power | 16.5 – 32.4 kW (22.1 – 43.4 hp) |
| Drum Width | 800 to 1400mm |
| Static Linear Load | 8.7 to 15.68 kg/cm |
| Centrifugal Force | 10/12.5 to 45/61 kN |

Features

- Powerful and reliable water cooled Kubota engines.
- Superb service access and easy to service components.
- High quality heavy duty design - "rental tough".
- Heavy duty vibration system with high centrifugal force, frequency and static linear load reduces the number of passes required.
- Unique side control arm for increased operator leg room and comfort.
- Unique 6 in 1 control lever for simple and easy operation of all functions.
- Twin drum vibration or rear drum vibration only can be selected via a simple lever.
- Lockable instrument panel, water tank filler flap and bonnet to reduce theft and vandalism.

TV800 **TV1000** **TV1300**
TV800H **TV1200** **TV1400**
TV900 **TV1200H**

Dimensions



Dimensions (mm)

| | TV800 | TV800H | TV900 | TV1000 | TV1200 | TV1200H | TV1300 | TV1400 |
|---|---------|---------|---------|---------|---------|---------|---------|---------|
| A - Drum Width (mm) | 800 | 800 | 900 | 1000 | 1200 | 1200 | 1300 | 1400 |
| B - Overall Width (mm) | 870 | 870 | 970 | 1070 | 1270 | 1270 | 1370 | 1470 |
| C - Overall Length (mm) | 1860 | 1860 | 1860 | 2375 | 2375 | 2375 | 2375 | 2375 |
| D - Height to Top of Steering Wheel (mm - Transport Height) | 1530 | 1530 | 1530 | 1940 | 1940 | 1940 | 1940 | 1945 |
| E - Curb Clearance - Right (mm) | 420 | 420 | 420 | 555 | 555 | 555 | 555 | 555 |
| F - Curb Clearance - Left (mm) | 390 | 390 | 390 | 490 | 490 | 490 | 490 | 490 |
| G - Ground Clearance (mm) | 200 | 200 | 200 | 230 | 230 | 230 | 230 | 230 |
| H - Drum Diameter (mm) | 550 | 550 | 550 | 700 | 700 | 700 | 700 | 706 |
| J - Wheelbase (mm) | 1260 | 1260 | 1260 | 1675 | 1675 | 1675 | 1675 | 1675 |
| K - Height to Top of ROPS frame (mm) | 2400 | 2400 | 2400 | 2650 | 2650 | 2650 | 2650 | 2655 |
| Overhang - Left / Right (mm) | 35 / 35 | 35 / 35 | 35 / 35 | 35 / 35 | 35 / 35 | 35 / 35 | 35 / 35 | 35 / 35 |

Steering

| | TV800 | TV800H | TV900 | TV1000 | TV1200 | TV1200H | TV1300 | TV1400 |
|------------------------------|---|--------|-------|--------|--------|---------|--------|--------|
| Steering Type | Centrepoint Articulation - Double acting (via single hydraulic ram) | | | | | | | |
| Inside Turn Radius (mm) | 1950 | 1950 | 1900 | 2625 | 2525 | 2525 | 2475 | 2425 |
| Outside Turn Radius (mm) | 2820 | 2820 | 2870 | 3695 | 3795 | 3795 | 3845 | 3895 |
| Frame Articulation (degrees) | 30 | 30 | 30 | 30 | 30 | 30 | 30 | 30 |
| Frame Oscillation (degrees) | 8 | 8 | 8 | 15 | 15 | 15 | 15 | 15 |

Capacities

| | TV800 | TV800H | TV900 | TV1000 | TV1200 | TV1200H | TV1300 | TV1400 |
|----------------------------------|-------|--------|-------|--------|--------|---------|--------|--------|
| Hydraulic Tank Capacity (litres) | 28 | 28 | 28 | 44 | 44 | 44 | 44 | 44 |
| Fuel Tank Capacity (litres) | 18 | 18 | 18 | 44 | 44 | 44 | 44 | 44 |
| Water Tank Capacity (litres) | 86 | 86 | 86 | 180 | 180 | 200 | 200 | 200 |

Standard Equipment & Options

| Standard Equipment | |
|--|--|
| Fixed ROPS frame | Integral lifting points |
| Amber Beacon | Fuel and hydraulic oil tanks level gauges (TV1000 to TV1400) |
| Road Lights - UK Road Traffic Act compliant (TV1300 and TV1400 only) | Vandal Protection Package - Lockable instrument cover to deter vandals / thieves |
| Site Lights | Centralised greasing points for easy servicing |
| Gravity Fed Water System (TV800 to TV1200H only) | Vibration insulated operator's station |
| Pressurised Water System (TV1300 and TV1400 only) | Deluxe operator's seat with lap belt and traction cut-out switch - automatic stop if operator stands up during operation |
| Drum Scraper Bars Front and Rear (both drums) | |
| Articulation Lock Bar | Sliding operator seat (TV1200H to TV1400) |
| Removable plastic water and oil tanks for easy servicing | Fault finding lights on instrument panel |
| Low maintenance battery | Steering Knob |
| Single piece tilting engine hood | 6 in 1 control lever |
| Emergency Release Free Wheel Valve (for Towing) | Hour meter |
| Optional Equipment | |
| Folding ROPS frame | Audible Reversing Alarm |
| Road Lights - UK Road Traffic Act compliant (TV800 to TV1200H) | Sun Canopy (TV1000 to TV1400 only) |
| Pressurised Water Spray (TV800 to TV1200H) | Hydraulic Breaker attachment, tool, valve and hosing - 30 l/min (TV800 to TV900) |

Dealer

Effective Date: 01 January 2008. Product specifications and prices are subject to change without notice or obligation. The photographs and/or drawings in this document are for illustrative purposes only. Refer to the appropriate Operator's Manual for instructions on the proper use of this equipment. Failure to follow the appropriate Operator's Manual when using our equipment or to otherwise act irresponsibly may result in serious injury or death. The only warranty applicable to our equipment is the standard written warranty applicable to the particular product and sale and Terex makes no other warranty, express or implied. Products and services listed may be trademarks, service marks or trade-names of Terex Corporation and/or its subsidiaries in the USA and other countries. All rights are reserved. Terex® is a registered trademark of Terex Corporation in the USA and many other countries. © 2009 Terex Corporation. ♻️ Printed on material using 55% recycled fibre from both pre and post-consumer sources, together with 45% virgin ECF fibre from sustainable forests. TEREX523UK

TEREX Construction
 Central Boulevard, ProLogis Park, Coventry, England CV6 4BX
 Tel +44 (0) 2476 339400 Fax +44 (0) 2476 339500
 Email enquiries@terexce.com www.terex.co.uk

