



TA2 **TA2S**
TA2H **TA2SH**

Specification

Payload	2000 kg
Gross Engine Power	24.5 kW (32.6 hp)
Max Skip Capacity	1200 Litres

Features

- Large heaped skip capacities (1200 Litres).
- “Rental Tough” designs and fabrications to keep you working in the toughest of conditions.
- Exceptional service access and ease of maintenance built into every machine.
- High ground clearance, low centre of gravity for superb stability and site accessibility.
- Powerful, reliable and economical Kubota engines.
- Power Swivel (S) enables effective placement of load to either side - useful for trench filling or small sites.
- Narrow width (under 1.5m) for access in confined spaces.
- Manual gearbox transmission on TA2 and TA2S
- Hydrostatic drive on TA2H and TA2SH

Specifications

Performance				
	TA2	TA2H	TA2S	TA2SH
Payload (kg)	1900	2000	1900	2030
Unladen Weight (kg)	1900	1900	2020	2020
Skip Capacity - Water (ltr)	750	750	750	750
- Struck (ltr)	1000	1000	1000	1000
- Heaped (ltr)	1200	1200	1200	1200
Engine	Kubota D1703M			
- Net Power - kW (hp)	24.5 (32.6)			
- Displacement	1647 cc			
- Maximum Torque	105 Nm			
Tyre Size	10.0/75x15.3x10 ply			
Drive	3/1 manual - permanent 4WD	2/2 hydrostatic via drop box	3/1 manual - permanent 4WD	2/2 hydrostatic via drop box
Max Travel Speed - mph (kph)	11.0 (18.0)	10.0 (16.0)	11.0 (18.0)	10.0 (16.0)
Gradeability	25 %	25 %	25 %	25 %
Fuel Tank Capacity	23 Litres	23 Litres	23 Litres	23 Litres
Hydraulic Tank Capacity	25 Litres	25 Litres	25 Litres	25 Litres

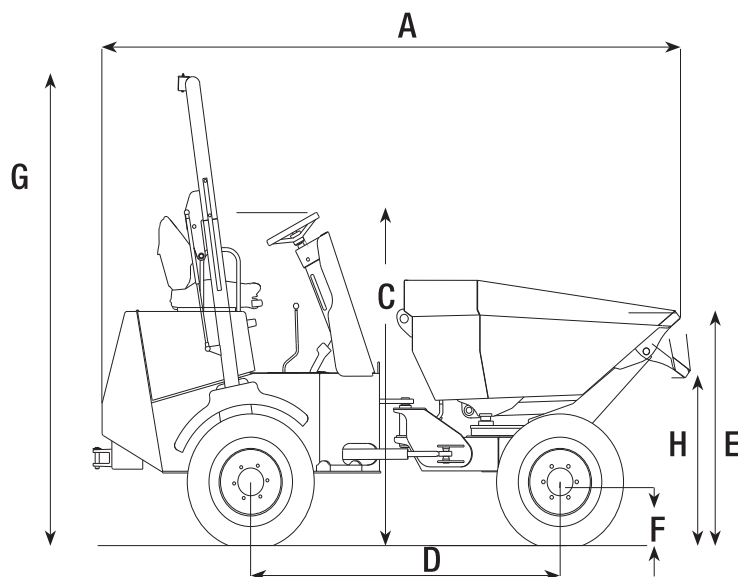
Hydraulic System (Gear Pump)				
	TA2	TA2H	TA2S	TA2SH
Flow rate	21 l/min	21 l/min	21 l/min	21 l/min
Operating Pressure	210 bar	210 bar	210 bar	210 bar

Braking System				
	TA2	TA2H	TA2S	TA2SH
Working Brake	Oil immersed discs on front axle			
Parking Brake	Over Centre Handbrake - Oil immersed discs front axle			

Electrical System				
	TA2	TA2H	TA2S	TA2SH
Voltage	12 V	12 V	12V	12 V
Battery	74 Ah	74 Ah	74 Ah	74 Ah
Alternator	55 A	55 A	55 A	55 A

Dimensions

B = Overall Width (not shown)



Dimensions (mm)		TA2	TA2H	TA2S	TA2SH
A	Total Length	3570	3570	3550	3550
B	Total Width (Not shown)	1492	1492	1492	1492
C	Height to Top of Steering Wheel	1910	1937	1910	1937
D	Wheelbase	1900	1900	1900	1900
E	Height to Front Lip of Skip (untipped)	1293	1323	1330	1360
F	Ground Clearance	251	184	251	184
G	Height to Top of ROPS (raised)	2697 (+200 over Beacon)	2727 (+200 over Beacon)	2697 (+200 over Beacon)	2727 (+200 over Beacon)
H	Height to Front Lip of Skip (tipped)	886	916	953	983
	Turning Radius to Outside of Skip	3680 mm	3680 mm	3680 mm	3680 mm
	Steering Angle	± 30.6°	± 30.6°	± 30.6°	± 30.6°
	Oscillation	± 10.5°	± 10.5°	± 10.5°	± 10.5°
	Tipping Type	Forward Tip	Forward Tip	Swing Tip	Swing Tip

Standard Equipment & Options

Standard Equipment
Folding ROPS Frame
Reversing Alarm
Flashing Beacon
Towing Bracket
Leg Guard

Optional Equipment
Road Lights (RTA)
Rear View Mirror (standard in some markets)
Turf Tyres (11.5 / 15.3)
KOSRAN Anti-theft immobiliser
CESAR Datatag Security
Fan Guard
Spare Wheel

Dealer

Effective Date: 01 June 2010. Product specifications and prices are subject to change without notice or obligation. The photographs and/or drawings in this document are for illustrative purposes only. Refer to the appropriate Operator's Manual for instructions on the proper use of this equipment. Failure to follow the appropriate Operator's Manual when using our equipment or to otherwise act irresponsibly may result in serious injury or death. The only warranty applicable to our equipment is the standard written warranty applicable to the particular product and sale and Terex makes no other warranty, express or implied. Products and services listed may be trademarks, service marks or trade-names of Terex Corporation and/or its subsidiaries in the USA and other countries. All rights are reserved. Terex® is a registered trademark of Terex Corporation in the USA and many other countries. © 2010 Terex Corporation. ♻️ Printed on material using 55% recycled fibre from both pre and post-consumer sources, together with 45% virgin ECF fibre from sustainable forests.

TEREX621UK