



**THE TEREX® HYDROSTATIC
2 & 3 TONNE SITE DUMPER RANGE**

SHIFTING EXPECTATIONS.



WORKS FOR YOU.™

**THE TEREX® HYDROSTATIC
2 & 3 TONNE SITE DUMPER RANGE**

CLIMBING NEW HEIGHTS.

Site dumping just got easier

With a range of 23 rental-proof designs, Terex is a world leader in site dumper manufacture. From the compact 850kg capacity HD850 through to the large and productive 10 tonne capacity TA10, we have the range to suit any application.

Innovation has kept us at the forefront of the industry allowing us to deliver quality, reliable and productive machines to customers worldwide. The new hydrostatic 2 and 3 tonne site dumper range is the latest technological innovation designed to exceed your expectations.

The hydrostatic system delivers smooth, uninterrupted power for the operator. Incorporating market leading features such as a high travel speed, large skip capacity and fast cycle times, the new hydrostatic range will shift your productivity and profitability up a gear.

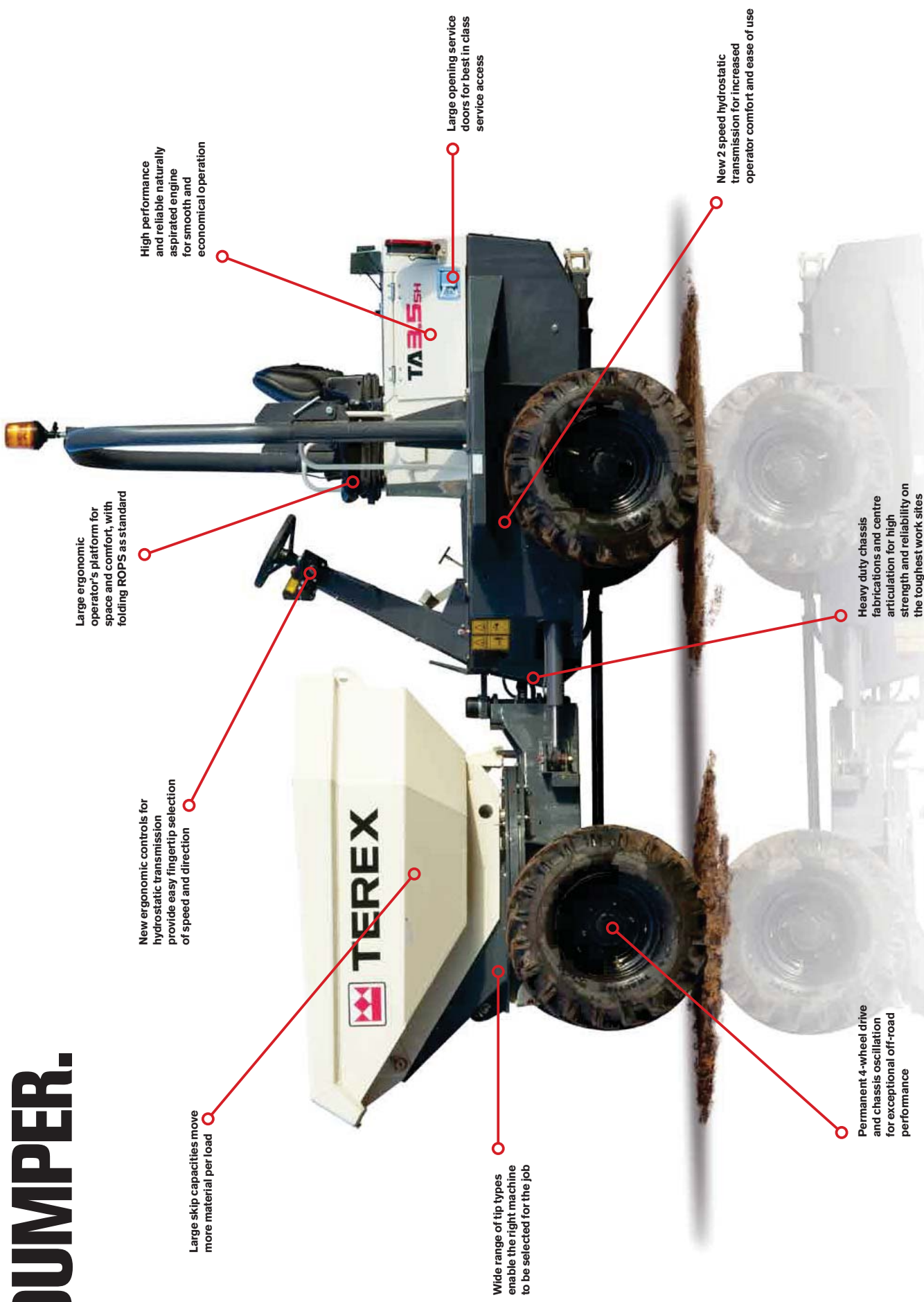
Simple user-friendly controls ensure all operators can adapt quickly to the new hydrostatic driving experience, whilst ease of service access minimises downtime and increases profitability.

The hydrostatic range puts you firmly into the driving seat.



MORE THAN JUST A DUMPER.

THE TEREX® HYDROSTATIC
2 & 3 TONNE SITE DUMPER RANGE



Large skip capacities move more material per load

New ergonomic controls for hydrostatic transmission provide easy fingertip selection of speed and direction

Large ergonomic operator's platform for space and comfort, with folding ROPS as standard

High performance and reliable naturally aspirated engine for smooth and economical operation

Large opening service doors for best in class service access

Wide range of tip types enable the right machine to be selected for the job

New 2 speed hydrostatic transmission for increased operator comfort and ease of use

Permanent 4-wheel drive and chassis oscillation for exceptional off-road performance

Heavy duty chassis fabrications and centre articulation for high strength and reliability on the toughest work sites

SMOOTH MOVER.

Total control at the flick of a switch

Ease of operation is the driving force behind the new hydrostatic range. Terex Site Dumpers feature an oscillating chassis for agile performance while permanent four-wheel drive provides sure-footed traction, even in tough conditions.

A direction switch on the dashboard selects forward, neutral or reverse gears whilst a separate speed switch enables selection of the correct speed and power for the load and operating conditions, resulting in faster cycle times and higher productivity.

What this means for you

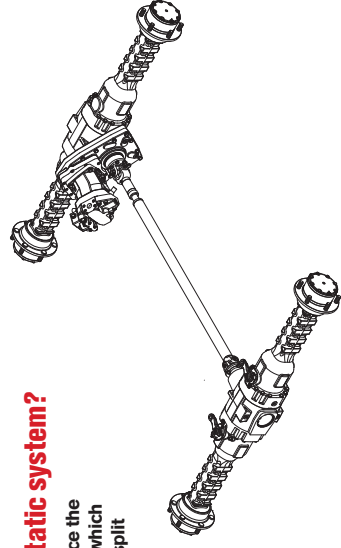
- ▶ Precise handling for greater efficiency
- ▶ Easy machine access thanks to a clear floor plate without clutch pedal or gear shift lever



What's different with the hydrostatic system?

The 2 and 3 tonne hydrostatic machines replace the clutch and gearbox with a hydrostatic motor, which supplies drive to a transfer box. Drive is then split to the front and rear axles.

Hydrostatic drive is controlled through a forwards/ neutral/ reverse switch and a high/ low speed switch on the dashboard, along with the accelerator and brake pedals on the floor.



**THE TEREX® HYDROSTATIC
2 & 3 TONNE SITE DUMPER RANGE**

MOVES MOUNTAINS.

High performance – high output

This exciting new range has an exceptional off-road performance thanks to a high specification hydrostatic design that smoothly delivers power to the wheels for excellent ground holding and safety. A powerful Kubota engine, high ground clearance, and excellent hydro-dynamic braking system further enhances versatility giving you the confidence to take on the most challenging sites.

Within the range the large capacity, heavy duty skips offer unrivalled productivity and versatility. Manufactured in a range of options including forward tip or power swivel (S) with the additional option of elevated tip (E) or elevated swivel (SE) on the TA2 range only.

What this means for you

- ▶ Narrow width for accessibility
- ▶ Minimal weight for transportation
- ▶ Reduced transportation height thanks to a folding ROPS canopy
- ▶ Excellent visibility – for improved productivity
- ▶ Low steering effort – for reduced operator fatigue



Access all areas –

Rental tough means easy to maintain

Simple and cost effective. As you'd expect from a Terex product, servicing couldn't be simpler. With an easy to remove floor plate, large opening service doors and a reduction in traditional wear parts, the hydrostatic transmission offers both time and cost savings for any operator. High strength, quality components provide exceptional performance and reliability across the entire range, ensuring that all Terex® Site Dumpers are Rental Tough.

SPECIFICATION

PERFORMANCE

	TA2SH	TA2SEH	TA3SH	TA3SEH	TA3SSH
Payload (kg)	2000	2000	3000	3000	3500
Unladen Weight (kg)	1954	2040	2320	2620	2620
Tipping Type	Forward Tip	Forward Tip - High Discharge	Swivel Tip	Swivel Tip - High Discharge	Swivel Tip
Skip Capacity - Water (litres)	750	750	1250	1000	1000
Skip Capacity - Struck (litres)	1000	1000	1600	1500	1500
Skip Capacity - Heaped (litres)	1200	1200	1950	1870	1870
Engine	Kubota D1703M				
- Number of Cylinders	3				
- Net Power - kW (hp)	24.5 (32.5)				
- Displacement (cc)	1647				
- Maximum Torque (Nm)	105				
- Aspiration	Naturally Aspirated				
- Emission Compliance	EU Stage IIIA				

TRANSMISSION / DRIVE

Transmission Type	Hydrostatic Motor via Transfer Box to Front and Rear Axles				
Type Size	10.0 / 75 x 15.3 (10 ph)				
Drive	2 / 2 (High & Low Range - Forward & Reverse) Hydrostatic - Permanent 4WD				
Maximum Travel Speed - mph (tph)	10.0 (16.0)				
Gradeability (Maximum Slope Gradient)	25% (14°, 1 in 4)				

CAPACITIES

Fuel Tank Capacity (litres)	23	23	23	23	37
Hydraulic Tank Capacity (litres)	25	25	25	25	37

ENVIRONMENTAL

Noise Emission (to ISO 4871) - Sound Pressure (LPA)	86.1 dB	86.1 dB	86.1 dB	84 dB	84 dB
Noise Emission (to ISO 4871) - Sound Power (LWA)	101 dB	101 dB	101 dB	101 dB	101 dB
Noise Compliance	Noise - Equipment Used Outdoors Directive 2000/14/EC				
Vibration - Hand Arm (as defined in EN1241-1 operations)	<2.5 m/s²	<2.5 m/s²	<2.5 m/s²	<2.5 m/s²	<2.5 m/s²
Vibration - Whole Body (as defined in ISO/TR 25588 - Work Cycle)	0.529 ms (0.264 m/s² Uncertainty)	0.529 ms (0.264 m/s² Uncertainty)	0.529 ms (0.264 m/s² Uncertainty)	0.529 ms (0.264 m/s² Uncertainty)	0.529 ms (0.264 m/s² Uncertainty)

HYDRAULIC SYSTEM

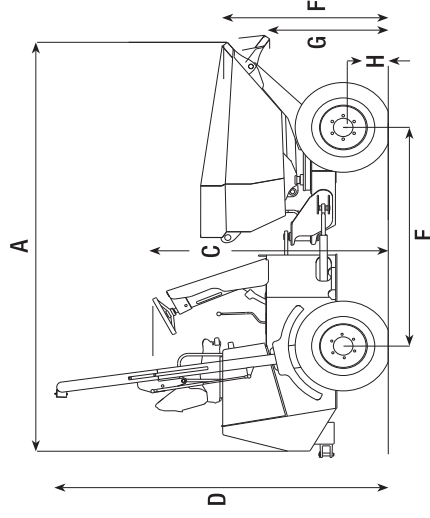
Pump Type	Gear	Gear	Gear	Gear	Gear
Flow Rate	21 l/min	21 l/min	21 l/min	30 l/min	30 l/min
Operating Pressure	210 bar	210 bar	210 bar	172 bar	172 bar
Steering System	Orbitrol® hydrostatic steering unit powering central hydraulic steering ram				

BRAKING SYSTEM

Working Brake	Multi-Plate In-Bed Oil Immersed Discs on Front Axle				
Parking Brake	Over Centre Handbrake - Oil Immersed Discs on Front Axle				

ELECTRICAL SYSTEM

Voltage	12 V	12 V	12 V	12 V	12 V
Battery	74 Ah	74 Ah	74 Ah	74 Ah	74 Ah
Alternator	55 A	55 A	55 A	55 A	55 A



DIMENSIONS

	TA2SH	TA2SEH	TA3SH	TA3SEH	TA3SSH
Total Length (A)	3570 mm	3570 mm	3700 mm	3700 mm	3790 mm
Total Width Across Skip (Net Skimm - B)	1492 mm	1492 mm	1950 mm	1780 mm	1780 mm
Total Width Across Wheels (Not Shown - B')	1460 mm	1460 mm	1840 mm	1840 mm	1840 mm
Transport Height (Minimum - Height to Top of Steering Wheel/ROPS folded) (C)	1937 mm	1937 mm	1880 mm	1880 mm	1890 mm
Transport Height (Maximum - Height to Top of ROPS raised) (D)	2777 mm (+200 mm over beacon)				
Wheelbase (E)	1900 mm	1900 mm	1900 mm	1900 mm	1950 mm
Height to Front Lip of Skip (untipped - F)	1323 mm	1350 mm	1454 mm	1522 mm	1530 mm
Height to Front Lip of Skip (tipped - G)	916 mm	983 mm	1074 mm (Lowered) / 1192 mm (Raised)	1142 mm (Lowered) / 1640 mm (Raised)	1130 mm
Ground Clearance (loaded - H)	184 mm	184 mm	242 mm	184 mm	242 mm
Turning Radius to Outside of Skip	3680 mm	3680 mm	4330 mm	3680 mm	4665 mm
Steering Angle	± 30.9°				
Oscillation	± 10.5°				

STANDARD EQUIPMENT AND OPTIONS

Folding ROPS Frame	Standard	Standard	Standard	Standard	Standard
Reversing Alarm	Standard	Standard	Standard	Standard	Standard
Flashing Beacon	Standard	Standard	Standard	Standard	Standard
Towing / Recovery Bracket	Standard	Standard	Standard	Standard	Standard
Lag Guard	Standard	Standard	Standard	Standard	Option (standard in some markets - check with your local Terex dealer)
Hour Meter	Standard	Standard	Standard	Standard	Standard
Rear Lights (RLA) including Front Light Guards	Option	Option	Option	Option	Option
Rear View Mirror	Option (standard in some markets - check with your local Terex dealer)				
Turf Tyres	Option	Option	Option	Option	Option
KOSRAM Anti-Theft Immobiliser	Option	Option	Option	Option	Option
CESAR Datalog Security	Option	Option	Option	Option	Option
Fan Guard	Option (standard in some markets - check with your local Terex dealer)				
Spare Wheel	Option	Option	Option	Option	Option
Special Paint	Option	Option	Option	Option	Option
Seat Belt (Orange)	Standard	Standard	Standard	Standard	Standard
Seat (adjustable fore/aft, operator weight and back angle)	Standard	Standard	Standard	Standard	Standard
Heavy Duty Articulation Lock	Standard	Standard	Standard	Standard	Standard

www.terex.com

Effective Date: March 2011. Product specifications and prices are subject to change without notice or obligation. The photographs and/or drawings in this document are for illustrative purposes only. Refer to the appropriate Operator's Manual for instructions on the proper use of this equipment. Failure to follow the appropriate Operator's Manual when using our equipment or to otherwise act irresponsibly may result in serious injury or death. The only warranty applicable to our equipment is the standard written warranty applicable to the particular product and sale and Terex makes no other warranty, express or implied. Products and services listed may be trademarks, service marks or trade-names of Terex Corporation and/or its subsidiaries in the USA and other countries. All rights are reserved. Terex is a registered trademark of Terex Corporation in the USA and many other countries.
© 2010 Terex Corporation.

Central Boulevard, ProLogis Park,
Coventry, England CV6 4BX
Tel +44 (0) 2476 339400



WORKS FOR YOU.™